

# SPECK® BADUglass

High Performance  
Fibreglass Sand Filter



**speck**  
**pumps**   
SPECK

Dual Layer Fibreglass Tank

300kpa Pressure Rating

10 Year Tank Warranty\*

Designed for Australian Conditions

Suitable for all filter media



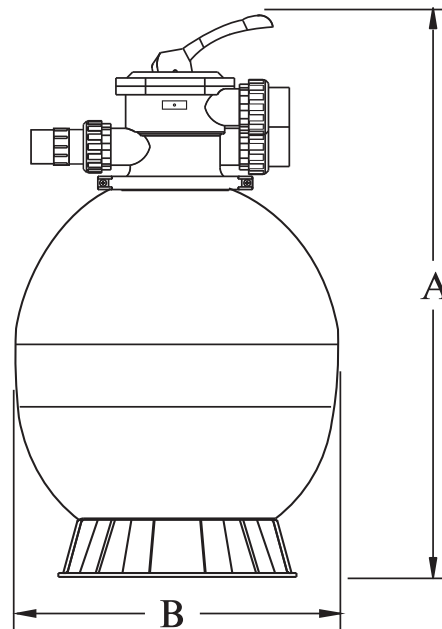
**CONTINENTAL**  
**WATER**

Pool Products for Pure Enjoyment

# SPECK®

## BADUglass

SPECK BADUglass Fibreglass Sand Filters are manufactured to our exacting standard and specifically designed to suit Australian conditions. The tank is dual layer, gel coated, UV resistant fibreglass and the filter includes a corrosion free 6-function multi-port valve and oil-filled pressure gauge.



Model	Height (mm) A	Diameter (mm/Inch) B	Multi-Port Valve Size (mm/inch)	Sand Required (kg)	Flow Rate (lpm)	Filter Area (m <sup>2</sup> )
PDSFBG025	960	650/25"	40/1.5"	105	270	0.33
PDSFBG028	1025	700/28"	50/2.0"	165	320	0.38
PDSFBG030	1050	750/30"	50/2.0"	180	390	0.44
PDSFBG032	1200	800/32"	50/2.0"	230	420	0.50

### WARRANTY

\* Ten (10) Year Warranty on Tank and One (1) Year Warranty on Multi-Port valve.

